



VRE (Remote Capability)



Specifier's Reference

Project
Type
Model No.
Comments

codes and standards

- UL listed to Standard 924
- NFPA 70 (National Electric Code)
- NFPA 101 (Life Safety Code)
- California Energy Commission
- UL listed for damp location

construction

- Black and white finishes are epoxy-based powder coat paint and are available on certain items only.
- Low profile, snap-together quick mount design.
- Flame rated, UV stable thermoplastic housing.

installation

- Universal wall/ceiling/end mounting.
- Canopy not required for flat wall mount. (electronics contained inside housing).
- Pop-out chevron directional indicators are easily removed when required.
- Exit sign mounts to a standard 4" square outlet box. (canopy provided)
- All exits signs are provided with an extra stencil face plate for double face sign applications.

electronics

- 120/277 VAC selectable input.
- VE Units: AC Only  
Input Power: 0.026A (120VAC)  
Input Power: 0.012A (277VAC)
- VE Units: Emergency  
Input Power: 0.033A (120VAC)  
Input Power: 0.017A (277VAC)
- VRE Units: Emergency  
Input Power: 0.030A (120VAC)  
Input Power: 0.014A (277VAC)
- Surge protection, low voltage disconnect, AC lockout installation, brown out protection, and constant current charger.

battery

- VE Exits contain 6V maintenance free nickel cadmium battery with a service life of 8 to 10 years and a operating temperature range of 20°F (-7°C) to 104°F (40°C).
- VRE exits contain a maintenance free sealed lead acid battery with a service life of 5 to 7 years and a operating temperature range of 65°F (19°C) to 85°F (30°C).
- Provides 90 minutes of emergency illumination.

lamps

- Bright red or green energy efficient LED lamps. Uniform 6" letter illumination (3/4" stroke).

remote capacity

- Optional remote capacity model includes 6V maintenance-free sealed lead acid batteries.
- Supplies 90 minutes of emergency power for exit sign plus an additional 22W of 6V-DC load.

warranty

- Three year warranty on unit.

Green Product Choice: VERWEM

Exit Signs Catalog Number	Letter Color	Housing Color	Operation	Optional Feature
VERW	Red	White	AC only	
VEGW	Green	White	AC only	
VERWEM	Red	White	Emergency (nicad battery)	
VERWEMSD	Red	White	Emergency (nicad battery)	Self Diagnostic Circuitry
VERBEM	Red	Black	Emergency (nicad battery)	
VEGWEM	Green	White	Emergency (nicad battery)	

Green Product Choice: VRERWEM

Exit Signs With Remote Capability Catalog Number	Letter Color	Housing Color	Operation	Remote Capacity
VRERWEM	Red	White	Emergency	22 Watts (lead acid battery)

Accessories

- VEPMC – Pendant mount canopy, white, for VE & VRE only (requires stem assembly).
- PVS2 – Polycarbonate shield for VE only.
- WG4 – Wire guard for VE & VRE only.

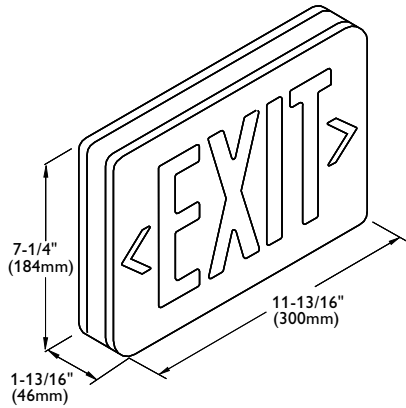
Note:

All exit signs are universal (single face with an extra stencil face plate)  
Canopy provided on all exits.

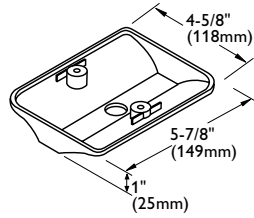


dimensions

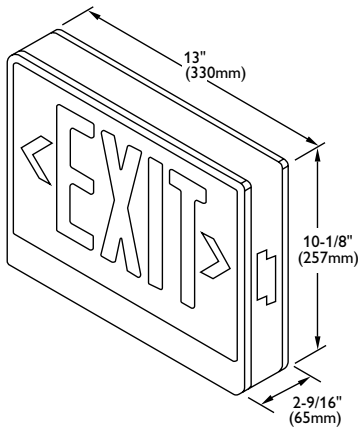
VE



Canopy



VRE



© 2016 Philips Lighting Holding B.V. All rights reserved.  
Philips reserves the right to make changes in specifications and/or to discontinue any product at any time without notice or obligation and will not be liable for any consequences resulting from the use of this publication.  
philips.com/luminaires



Philips Lighting North America Corporation  
200 Franklin Square Drive, Somerset, NJ 08873  
Tel. 855-486-2216

Philips Lighting Canada Ltd.  
281 Hillmount Rd, Markham, ON, Canada L6C 2S3  
Tel. 800-668-9008